

承認容器廃止届出書

熊原第 23-006 号

令和 5 年 01 月 16 日

原子力規制委員会殿

住所 神奈川県横浜市鶴見区鶴見中央四丁目 33 番 5 号

氏名 原子燃料工業株式会社

代表取締役社長 伊藤 義章

核燃料物質等の工場又は事業所の外における運搬に関する規則第 24 条第 2 項の規定により、下記のとおり届け出ます。

記

1. 輸送容器の名称

TNF-XI 型

2. 承認容器登録番号

表 1 の通り

3. 廃止の年月日

令和 5 年 01 月 16 日

4. 廃止の理由

当該容器を用いた運搬計画がないため

表 1 承認容器登録番号

(設計承認番号：J/2042/AF)

(その1)

承認容器 登録番号	製造番号	承認容器 登録番号	製造番号	承認容器 登録番号	製造番号	承認容器 登録番号	製造番号
1	S0001A2042 TNF-XI-0001	51	S0051A2042 TNF-XI-0051	101	S0102A2042 TNF-XI-0102	151	S0153A2042 TNF-XI-0153
2	S0002A2042 TNF-XI-0002	52	S0052A2042 TNF-XI-0052	102	S0103A2042 TNF-XI-0103	152	S0154A2042 TNF-XI-0154
3	S0003A2042 TNF-XI-0003	53	S0053A2042 TNF-XI-0053	103	S0104A2042 TNF-XI-0104	153	S0155A2042 TNF-XI-0155
4	S0004A2042 TNF-XI-0004	54	S0054A2042 TNF-XI-0054	104	S0105A2042 TNF-XI-0105	154	S0156A2042 TNF-XI-0156
5	S0005A2042 TNF-XI-0005	55	S0055A2042 TNF-XI-0055	105	S0106A2042 TNF-XI-0106	155	S0157A2042 TNF-XI-0157
6	S0006A2042 TNF-XI-0006	56	S0056A2042 TNF-XI-0056	106	S0107A2042 TNF-XI-0107	156	S0158A2042 TNF-XI-0158
7	S0007A2042 TNF-XI-0007	57	S0057A2042 TNF-XI-0057	107	S0108A2042 TNF-XI-0108	157	S0159A2042 TNF-XI-0159
8	S0008A2042 TNF-XI-0008	58	S0058A2042 TNF-XI-0058	108	S0109A2042 TNF-XI-0109	158	S0160A2042 TNF-XI-0160
9	S0009A2042 TNF-XI-0009	59	S0059A2042 TNF-XI-0059	109	S0110A2042 TNF-XI-0110	159	S0161A2042 TNF-XI-0161
10	S0010A2042 TNF-XI-0010	60	S0060A2042 TNF-XI-0060	110	S0111A2042 TNF-XI-0111	160	S0162A2042 TNF-XI-0162
11	S0011A2042 TNF-XI-0011	61	S0061A2042 TNF-XI-0061	111	S0112A2042 TNF-XI-0112	161	S0163A2042 TNF-XI-0163
12	S0012A2042 TNF-XI-0012	62	S0062A2042 TNF-XI-0062	112	S0113A2042 TNF-XI-0113	162	S0164A2042 TNF-XI-0164
13	S0013A2042 TNF-XI-0013	63	S0063A2042 TNF-XI-0063	113	S0114A2042 TNF-XI-0114	163	S0165A2042 TNF-XI-0165
14	S0014A2042 TNF-XI-0014	64	S0064A2042 TNF-XI-0064	114	S0116A2042 TNF-XI-0116	164	S0166A2042 TNF-XI-0166
15	S0015A2042 TNF-XI-0015	65	S0065A2042 TNF-XI-0065	115	S0117A2042 TNF-XI-0117	165	S0167A2042 TNF-XI-0167
16	S0016A2042 TNF-XI-0016	66	S0066A2042 TNF-XI-0066	116	S0118A2042 TNF-XI-0118	166	S0168A2042 TNF-XI-0168
17	S0017A2042 TNF-XI-0017	67	S0067A2042 TNF-XI-0067	117	S0119A2042 TNF-XI-0119	167	S0169A2042 TNF-XI-0169
18	S0018A2042 TNF-XI-0018	68	S0068A2042 TNF-XI-0068	118	S0120A2042 TNF-XI-0120	168	S0170A2042 TNF-XI-0170
19	S0019A2042 TNF-XI-0019	69	S0069A2042 TNF-XI-0069	119	S0121A2042 TNF-XI-0121	169	S0171A2042 TNF-XI-0171
20	S0020A2042 TNF-XI-0020	70	S0070A2042 TNF-XI-0070	120	S0122A2042 TNF-XI-0122	170	S0172A2042 TNF-XI-0172
21	S0021A2042 TNF-XI-0021	71	S0071A2042 TNF-XI-0071	121	S0123A2042 TNF-XI-0123	171	S0173A2042 TNF-XI-0173
22	S0022A2042 TNF-XI-0022	72	S0072A2042 TNF-XI-0072	122	S0124A2042 TNF-XI-0124	172	S0174A2042 TNF-XI-0174
23	S0023A2042 TNF-XI-0023	73	S0073A2042 TNF-XI-0073	123	S0125A2042 TNF-XI-0125	173	S0175A2042 TNF-XI-0175
24	S0024A2042 TNF-XI-0024	74	S0074A2042 TNF-XI-0074	124	S0126A2042 TNF-XI-0126	174	S0176A2042 TNF-XI-0176
25	S0025A2042 TNF-XI-0025	75	S0075A2042 TNF-XI-0075	125	S0127A2042 TNF-XI-0127	175	S0177A2042 TNF-XI-0177
26	S0026A2042 TNF-XI-0026	76	S0076A2042 TNF-XI-0076	126	S0128A2042 TNF-XI-0128	176	S0178A2042 TNF-XI-0178
27	S0027A2042 TNF-XI-0027	77	S0077A2042 TNF-XI-0077	127	S0129A2042 TNF-XI-0129	177	S0179A2042 TNF-XI-0179
28	S0028A2042 TNF-XI-0028	78	S0078A2042 TNF-XI-0078	128	S0130A2042 TNF-XI-0130	178	S0180A2042 TNF-XI-0180
29	S0029A2042 TNF-XI-0029	79	S0080A2042 TNF-XI-0080	129	S0131A2042 TNF-XI-0131	179	S0181A2042 TNF-XI-0181
30	S0030A2042 TNF-XI-0030	80	S0081A2042 TNF-XI-0081	130	S0132A2042 TNF-XI-0132	180	S0182A2042 TNF-XI-0182
31	S0031A2042 TNF-XI-0031	81	S0082A2042 TNF-XI-0082	131	S0133A2042 TNF-XI-0133	181	S0183A2042 TNF-XI-0183
32	S0032A2042 TNF-XI-0032	82	S0083A2042 TNF-XI-0083	132	S0134A2042 TNF-XI-0134	182	S0184A2042 TNF-XI-0184
33	S0033A2042 TNF-XI-0033	83	S0084A2042 TNF-XI-0084	133	S0135A2042 TNF-XI-0135	183	S0185A2042 TNF-XI-0185
34	S0034A2042 TNF-XI-0034	84	S0085A2042 TNF-XI-0085	134	S0136A2042 TNF-XI-0136	184	S0186A2042 TNF-XI-0186
35	S0035A2042 TNF-XI-0035	85	S0086A2042 TNF-XI-0086	135	S0137A2042 TNF-XI-0137	185	S0187A2042 TNF-XI-0187
36	S0036A2042 TNF-XI-0036	86	S0087A2042 TNF-XI-0087	136	S0138A2042 TNF-XI-0138	186	S0188A2042 TNF-XI-0188
37	S0037A2042 TNF-XI-0037	87	S0088A2042 TNF-XI-0088	137	S0139A2042 TNF-XI-0139	187	S0189A2042 TNF-XI-0189
38	S0038A2042 TNF-XI-0038	88	S0089A2042 TNF-XI-0089	138	S0140A2042 TNF-XI-0140	188	S0190A2042 TNF-XI-0190
39	S0039A2042 TNF-XI-0039	89	S0090A2042 TNF-XI-0090	139	S0141A2042 TNF-XI-0141	189	S0191A2042 TNF-XI-0191
40	S0040A2042 TNF-XI-0040	90	S0091A2042 TNF-XI-0091	140	S0142A2042 TNF-XI-0142	190	S0192A2042 TNF-XI-0192
41	S0041A2042 TNF-XI-0041	91	S0092A2042 TNF-XI-0092	141	S0143A2042 TNF-XI-0143	191	S0193A2042 TNF-XI-0193
42	S0042A2042 TNF-XI-0042	92	S0093A2042 TNF-XI-0093	142	S0144A2042 TNF-XI-0144	192	S0194A2042 TNF-XI-0194
43	S0043A2042 TNF-XI-0043	93	S0094A2042 TNF-XI-0094	143	S0145A2042 TNF-XI-0145	193	S0195A2042 TNF-XI-0195
44	S0044A2042 TNF-XI-0044	94	S0095A2042 TNF-XI-0095	144	S0146A2042 TNF-XI-0146	194	S0196A2042 TNF-XI-0196
45	S0045A2042 TNF-XI-0045	95	S0096A2042 TNF-XI-0096	145	S0147A2042 TNF-XI-0147	195	S0197A2042 TNF-XI-0197
46	S0046A2042 TNF-XI-0046	96	S0097A2042 TNF-XI-0097	146	S0148A2042 TNF-XI-0148	196	S0198A2042 TNF-XI-0198
47	S0047A2042 TNF-XI-0047	97	S0098A2042 TNF-XI-0098	147	S0149A2042 TNF-XI-0149	197	S0199A2042 TNF-XI-0199
48	S0048A2042 TNF-XI-0048	98	S0099A2042 TNF-XI-0099	148	S0150A2042 TNF-XI-0150	198	S0200A2042 TNF-XI-0200
49	S0049A2042 TNF-XI-0049	99	S0100A2042 TNF-XI-0100	149	S0151A2042 TNF-XI-0151	199	S0201A2042 TNF-XI-0201
50	S0050A2042 TNF-XI-0050	100	S0101A2042 TNF-XI-0101	150	S0152A2042 TNF-XI-0152	200	S0202A2042 TNF-XI-0202

表 1 承認容器登録番号 (つづき)

(設計承認番号 : J/2042/AF)

(その 2)

承認容器 登録番号	製造番号	承認容器 登録番号	製造番号	承認容器 登録番号	製造番号	承認容器 登録番号	製造番号	
201	S0203A2042	TNF-XI-0203	251	S0253A2042	TNF-XI-0253	301	S0303A2042	TNF-XI-0303
202	S0204A2042	TNF-XI-0204	252	S0254A2042	TNF-XI-0254	302	S0304A2042	TNF-XI-0304
203	S0205A2042	TNF-XI-0205	253	S0255A2042	TNF-XI-0255	303	S0305A2042	TNF-XI-0305
204	S0206A2042	TNF-XI-0206	254	S0256A2042	TNF-XI-0256	304	S0306A2042	TNF-XI-0306
205	S0207A2042	TNF-XI-0207	255	S0257A2042	TNF-XI-0257	305	S0307A2042	TNF-XI-0307
206	S0208A2042	TNF-XI-0208	256	S0258A2042	TNF-XI-0258	306	S0308A2042	TNF-XI-0308
207	S0209A2042	TNF-XI-0209	257	S0259A2042	TNF-XI-0259	307	S0309A2042	TNF-XI-0309
208	S0210A2042	TNF-XI-0210	258	S0260A2042	TNF-XI-0260	308	S0310A2042	TNF-XI-0310
209	S0211A2042	TNF-XI-0211	259	S0261A2042	TNF-XI-0261	309	S0311A2042	TNF-XI-0311
210	S0212A2042	TNF-XI-0212	260	S0262A2042	TNF-XI-0262	310	S0312A2042	TNF-XI-0312
211	S0213A2042	TNF-XI-0213	261	S0263A2042	TNF-XI-0263	311	S0313A2042	TNF-XI-0313
212	S0214A2042	TNF-XI-0214	262	S0264A2042	TNF-XI-0264	312	S0314A2042	TNF-XI-0314
213	S0215A2042	TNF-XI-0215	263	S0265A2042	TNF-XI-0265	313	S0315A2042	TNF-XI-0315
214	S0216A2042	TNF-XI-0216	264	S0266A2042	TNF-XI-0266	314	S0316A2042	TNF-XI-0316
215	S0217A2042	TNF-XI-0217	265	S0267A2042	TNF-XI-0267	315	S0317A2042	TNF-XI-0317
216	S0218A2042	TNF-XI-0218	266	S0268A2042	TNF-XI-0268	316	S0318A2042	TNF-XI-0318
217	S0219A2042	TNF-XI-0219	267	S0269A2042	TNF-XI-0269	317	S0319A2042	TNF-XI-0319
218	S0220A2042	TNF-XI-0220	268	S0270A2042	TNF-XI-0270	318	S0320A2042	TNF-XI-0320
219	S0221A2042	TNF-XI-0221	269	S0271A2042	TNF-XI-0271	319	S0321A2042	TNF-XI-0321
220	S0222A2042	TNF-XI-0222	270	S0272A2042	TNF-XI-0272	320	S0322A2042	TNF-XI-0322
221	S0223A2042	TNF-XI-0223	271	S0273A2042	TNF-XI-0273	321	S0323A2042	TNF-XI-0323
222	S0224A2042	TNF-XI-0224	272	S0274A2042	TNF-XI-0274	322	S0324A2042	TNF-XI-0324
223	S0225A2042	TNF-XI-0225	273	S0275A2042	TNF-XI-0275	323	S0325A2042	TNF-XI-0325
224	S0226A2042	TNF-XI-0226	274	S0276A2042	TNF-XI-0276	324	S0326A2042	TNF-XI-0326
225	S0227A2042	TNF-XI-0227	275	S0277A2042	TNF-XI-0277	325	S0327A2042	TNF-XI-0327
226	S0228A2042	TNF-XI-0228	276	S0278A2042	TNF-XI-0278	326	S0328A2042	TNF-XI-0328
227	S0229A2042	TNF-XI-0229	277	S0279A2042	TNF-XI-0279	327	S0329A2042	TNF-XI-0329
228	S0230A2042	TNF-XI-0230	278	S0280A2042	TNF-XI-0280	328	S0330A2042	TNF-XI-0330
229	S0231A2042	TNF-XI-0231	279	S0281A2042	TNF-XI-0281	329	S0331A2042	TNF-XI-0331
230	S0232A2042	TNF-XI-0232	280	S0282A2042	TNF-XI-0282	330	S0332A2042	TNF-XI-0332
231	S0233A2042	TNF-XI-0233	281	S0283A2042	TNF-XI-0283	331	S0333A2042	TNF-XI-0333
232	S0234A2042	TNF-XI-0234	282	S0284A2042	TNF-XI-0284	332	S0334A2042	TNF-XI-0334
233	S0235A2042	TNF-XI-0235	283	S0285A2042	TNF-XI-0285	333	S0335A2042	TNF-XI-0335
234	S0236A2042	TNF-XI-0236	284	S0286A2042	TNF-XI-0286	334	S0336A2042	TNF-XI-0336
235	S0237A2042	TNF-XI-0237	285	S0287A2042	TNF-XI-0287	335	S0337A2042	TNF-XI-0337
236	S0238A2042	TNF-XI-0238	286	S0288A2042	TNF-XI-0288	336	S0338A2042	TNF-XI-0338
237	S0239A2042	TNF-XI-0239	287	S0289A2042	TNF-XI-0289	337	S0339A2042	TNF-XI-0339
238	S0240A2042	TNF-XI-0240	288	S0290A2042	TNF-XI-0290	338	S0340A2042	TNF-XI-0340
239	S0241A2042	TNF-XI-0241	289	S0291A2042	TNF-XI-0291	339	S0341A2042	TNF-XI-0341
240	S0242A2042	TNF-XI-0242	290	S0292A2042	TNF-XI-0292	340	S0342A2042	TNF-XI-0342
241	S0243A2042	TNF-XI-0243	291	S0293A2042	TNF-XI-0293	341	S0343A2042	TNF-XI-0343
242	S0244A2042	TNF-XI-0244	292	S0294A2042	TNF-XI-0294	342	S0344A2042	TNF-XI-0344
243	S0245A2042	TNF-XI-0245	293	S0295A2042	TNF-XI-0295	343	S0345A2042	TNF-XI-0345
244	S0246A2042	TNF-XI-0246	294	S0296A2042	TNF-XI-0296	344	S0346A2042	TNF-XI-0346
245	S0247A2042	TNF-XI-0247	295	S0297A2042	TNF-XI-0297	345	S0347A2042	TNF-XI-0347
246	S0248A2042	TNF-XI-0248	296	S0298A2042	TNF-XI-0298	346	S0348A2042	TNF-XI-0348
247	S0249A2042	TNF-XI-0249	297	S0299A2042	TNF-XI-0299	347	S0349A2042	TNF-XI-0349
248	S0250A2042	TNF-XI-0250	298	S0300A2042	TNF-XI-0300	348	S0350A2042	TNF-XI-0350
249	S0251A2042	TNF-XI-0251	299	S0301A2042	TNF-XI-0301	349	S0351A2042	TNF-XI-0351
250	S0252A2042	TNF-XI-0252	300	S0302A2042	TNF-XI-0302	350	S0352A2042	TNF-XI-0352
						351	S0353A2042	TNF-XI-0353
						352	S0354A2042	TNF-XI-0354
						353	S0355A2042	TNF-XI-0355
						354	S0356A2042	TNF-XI-0356
						355	S0357A2042	TNF-XI-0357
						356	S0358A2042	TNF-XI-0358
						357	S0359A2042	TNF-XI-0359
						358	S0360A2042	TNF-XI-0360
						359	S0361A2042	TNF-XI-0361
						360	S0362A2042	TNF-XI-0362
						361	S0363A2042	TNF-XI-0363
						362	S0364A2042	TNF-XI-0364
						363	S0365A2042	TNF-XI-0365
						364	S0366A2042	TNF-XI-0366
						365	S0367A2042	TNF-XI-0367
						366	S0368A2042	TNF-XI-0368
						367	S0369A2042	TNF-XI-0369
						368	S0370A2042	TNF-XI-0370
						369	S0371A2042	TNF-XI-0371
						370	S0372A2042	TNF-XI-0372
						371	S0373A2042	TNF-XI-0373
						372	S0374A2042	TNF-XI-0374
						373	S0375A2042	TNF-XI-0375
						374	S0376A2042	TNF-XI-0376
						375	S0377A2042	TNF-XI-0377
						376	S0378A2042	TNF-XI-0378
						377	S0379A2042	TNF-XI-0379
						378	S0380A2042	TNF-XI-0380
						379	S0381A2042	TNF-XI-0381
						380	S0382A2042	TNF-XI-0382
						381	S0383A2042	TNF-XI-0383
						382	S0384A2042	TNF-XI-0384
						383	S0385A2042	TNF-XI-0385
						384	S0386A2042	TNF-XI-0386
						385	S0387A2042	TNF-XI-0387
						386	S0388A2042	TNF-XI-0388
						387	S0389A2042	TNF-XI-0389
						388	S0390A2042	TNF-XI-0390
						389	S0391A2042	TNF-XI-0391
						390	S0392A2042	TNF-XI-0392
						391	S0393A2042	TNF-XI-0393
						392	S0394A2042	TNF-XI-0394
						393	S0395A2042	TNF-XI-0395
						394	S0396A2042	TNF-XI-0396
						395	S0397A2042	TNF-XI-0397
						396	S0398A2042	TNF-XI-0398
						397	S0399A2042	TNF-XI-0399
						398	S0400A2042	TNF-XI-0400
						399	S0401A2042	TNF-XI-0401
						400	S0402A2042	TNF-XI-0402

表1 承認容器登録番号(つづき)

(設計承認番号: J/2042/AF)

(その3)

承認容器 登録番号	製造番号	承認容器 登録番号	製造番号	承認容器 登録番号	製造番号	承認容器 登録番号	製造番号	
401	S0403A2042	TNF-XI-0403	451	S0453A2042	TNF-XI-0453	501	S0503A2042	TNF-XI-0503
402	S0404A2042	TNF-XI-0404	452	S0454A2042	TNF-XI-0454	502	S0504A2042	TNF-XI-0504
403	S0405A2042	TNF-XI-0405	453	S0455A2042	TNF-XI-0455	503	S0505A2042	TNF-XI-0505
404	S0406A2042	TNF-XI-0406	454	S0456A2042	TNF-XI-0456	504	S0506A2042	TNF-XI-0506
405	S0407A2042	TNF-XI-0407	455	S0457A2042	TNF-XI-0457	505	S0507A2042	TNF-XI-0507
406	S0408A2042	TNF-XI-0408	456	S0458A2042	TNF-XI-0458	506	S0508A2042	TNF-XI-0508
407	S0409A2042	TNF-XI-0409	457	S0459A2042	TNF-XI-0459	507	S0509A2042	TNF-XI-0509
408	S0410A2042	TNF-XI-0410	458	S0460A2042	TNF-XI-0460	508	S0510A2042	TNF-XI-0510
409	S0411A2042	TNF-XI-0411	459	S0461A2042	TNF-XI-0461	509	S0511A2042	TNF-XI-0511
410	S0412A2042	TNF-XI-0412	460	S0462A2042	TNF-XI-0462	510	S0512A2042	TNF-XI-0512
411	S0413A2042	TNF-XI-0413	461	S0463A2042	TNF-XI-0463	511	S0513A2042	TNF-XI-0513
412	S0414A2042	TNF-XI-0414	462	S0464A2042	TNF-XI-0464	512	S0514A2042	TNF-XI-0514
413	S0415A2042	TNF-XI-0415	463	S0465A2042	TNF-XI-0465	513	S0515A2042	TNF-XI-0515
414	S0416A2042	TNF-XI-0416	464	S0466A2042	TNF-XI-0466	514	S0516A2042	TNF-XI-0516
415	S0417A2042	TNF-XI-0417	465	S0467A2042	TNF-XI-0467	515	S0517A2042	TNF-XI-0517
416	S0418A2042	TNF-XI-0418	466	S0468A2042	TNF-XI-0468	516	S0518A2042	TNF-XI-0518
417	S0419A2042	TNF-XI-0419	467	S0469A2042	TNF-XI-0469	517	S0519A2042	TNF-XI-0519
418	S0420A2042	TNF-XI-0420	468	S0470A2042	TNF-XI-0470	518	S0520A2042	TNF-XI-0520
419	S0421A2042	TNF-XI-0421	469	S0471A2042	TNF-XI-0471	519	S0521A2042	TNF-XI-0521
420	S0422A2042	TNF-XI-0422	470	S0472A2042	TNF-XI-0472	520	S0522A2042	TNF-XI-0522
421	S0423A2042	TNF-XI-0423	471	S0473A2042	TNF-XI-0473	521	S0523A2042	TNF-XI-0523
422	S0424A2042	TNF-XI-0424	472	S0474A2042	TNF-XI-0474	522	S0524A2042	TNF-XI-0524
423	S0425A2042	TNF-XI-0425	473	S0475A2042	TNF-XI-0475	523	S0525A2042	TNF-XI-0525
424	S0426A2042	TNF-XI-0426	474	S0476A2042	TNF-XI-0476	524	S0526A2042	TNF-XI-0526
425	S0427A2042	TNF-XI-0427	475	S0477A2042	TNF-XI-0477	525	S0527A2042	TNF-XI-0527
426	S0428A2042	TNF-XI-0428	476	S0478A2042	TNF-XI-0478	526	S0528A2042	TNF-XI-0528
427	S0429A2042	TNF-XI-0429	477	S0479A2042	TNF-XI-0479	527	S0529A2042	TNF-XI-0529
428	S0430A2042	TNF-XI-0430	478	S0480A2042	TNF-XI-0480	528	S0530A2042	TNF-XI-0530
429	S0431A2042	TNF-XI-0431	479	S0481A2042	TNF-XI-0481	529	S0531A2042	TNF-XI-0531
430	S0432A2042	TNF-XI-0432	480	S0482A2042	TNF-XI-0482	530	S0532A2042	TNF-XI-0532
431	S0433A2042	TNF-XI-0433	481	S0483A2042	TNF-XI-0483	531	S0533A2042	TNF-XI-0533
432	S0434A2042	TNF-XI-0434	482	S0484A2042	TNF-XI-0484	532	S0534A2042	TNF-XI-0534
433	S0435A2042	TNF-XI-0435	483	S0485A2042	TNF-XI-0485	533	S0535A2042	TNF-XI-0535
434	S0436A2042	TNF-XI-0436	484	S0486A2042	TNF-XI-0486	534	S0536A2042	TNF-XI-0536
435	S0437A2042	TNF-XI-0437	485	S0487A2042	TNF-XI-0487	535	S0537A2042	TNF-XI-0537
436	S0438A2042	TNF-XI-0438	486	S0488A2042	TNF-XI-0488	536	S0538A2042	TNF-XI-0538
437	S0439A2042	TNF-XI-0439	487	S0489A2042	TNF-XI-0489	537	S0539A2042	TNF-XI-0539
438	S0440A2042	TNF-XI-0440	488	S0490A2042	TNF-XI-0490	538	S0540A2042	TNF-XI-0540
439	S0441A2042	TNF-XI-0441	489	S0491A2042	TNF-XI-0491	539	S0541A2042	TNF-XI-0541
440	S0442A2042	TNF-XI-0442	490	S0492A2042	TNF-XI-0492	540	S0542A2042	TNF-XI-0542
441	S0443A2042	TNF-XI-0443	491	S0493A2042	TNF-XI-0493	541	S0543A2042	TNF-XI-0543
442	S0444A2042	TNF-XI-0444	492	S0494A2042	TNF-XI-0494	542	S0544A2042	TNF-XI-0544
443	S0445A2042	TNF-XI-0445	493	S0495A2042	TNF-XI-0495	543	S0545A2042	TNF-XI-0545
444	S0446A2042	TNF-XI-0446	494	S0496A2042	TNF-XI-0496	544	S0546A2042	TNF-XI-0546
445	S0447A2042	TNF-XI-0447	495	S0497A2042	TNF-XI-0497	545	S0547A2042	TNF-XI-0547
446	S0448A2042	TNF-XI-0448	496	S0498A2042	TNF-XI-0498	546	S0548A2042	TNF-XI-0548
447	S0449A2042	TNF-XI-0449	497	S0499A2042	TNF-XI-0499	547	S0549A2042	TNF-XI-0549
448	S0450A2042	TNF-XI-0450	498	S0500A2042	TNF-XI-0500	548	S0550A2042	TNF-XI-0550
449	S0451A2042	TNF-XI-0451	499	S0501A2042	TNF-XI-0501	549	S0551A2042	TNF-XI-0551
450	S0452A2042	TNF-XI-0452	500	S0502A2042	TNF-XI-0502	550	S0552A2042	TNF-XI-0552
						551	S0553A2042	TNF-XI-0553
						552	S0554A2042	TNF-XI-0554
						553	S0555A2042	TNF-XI-0555
						554	S0556A2042	TNF-XI-0556
						555	S0557A2042	TNF-XI-0557
						556	S0558A2042	TNF-XI-0558
						557	S0559A2042	TNF-XI-0559
						558	S0560A2042	TNF-XI-0560
						559	S0561A2042	TNF-XI-0561
						560	S0562A2042	TNF-XI-0562
						561	S0563A2042	TNF-XI-0563
						562	S0564A2042	TNF-XI-0564
						563	S0565A2042	TNF-XI-0565
						564	S0566A2042	TNF-XI-0566
						565	S0567A2042	TNF-XI-0567
						566	S0568A2042	TNF-XI-0568
						567	S0569A2042	TNF-XI-0569
						568	S0570A2042	TNF-XI-0570
						569	S0571A2042	TNF-XI-0571
						570	S0572A2042	TNF-XI-0572
						571	S0573A2042	TNF-XI-0573
						572	S0574A2042	TNF-XI-0574
						573	S0575A2042	TNF-XI-0575
						574	S0576A2042	TNF-XI-0576
						575	S0577A2042	TNF-XI-0577
						576	S0578A2042	TNF-XI-0578
						577	S0579A2042	TNF-XI-0579
						578	S0580A2042	TNF-XI-0580
						579	S0581A2042	TNF-XI-0581
						580	S0582A2042	TNF-XI-0582
						581	S0583A2042	TNF-XI-0583
						582	S0584A2042	TNF-XI-0584
						583	S0585A2042	TNF-XI-0585
						584	S0586A2042	TNF-XI-0586
						585	S0587A2042	TNF-XI-0587
						586	S0588A2042	TNF-XI-0588
						587	S0589A2042	TNF-XI-0589
						588	S0590A2042	TNF-XI-0590
						589	S0591A2042	TNF-XI-0591
						590	S0592A2042	TNF-XI-0592
						591	S0593A2042	TNF-XI-0593
						592	S0594A2042	TNF-XI-0594
						593	S0595A2042	TNF-XI-0595
						594	S0596A2042	TNF-XI-0596
						595	S0597A2042	TNF-XI-0597
						596	S0598A2042	TNF-XI-0598
						597	S0599A2042	TNF-XI-0599
						598	S0600A2042	TNF-XI-0600
						599	S0601A2042	TNF-XI-0601
						600	S0602A2042	TNF-XI-0602

表 1 承認容器登録番号 (つづき)

(設計承認番号 : J/2042/AF)

(その 4)

承認容器 登録番号	製造番号	承認容器 登録番号	製造番号	承認容器 登録番号	製造番号	承認容器 登録番号	製造番号	
601	S0603A2042	TNF-XI-0603	651	S0653A2042	TNF-XI-0653	701	S0703A2042	TNF-XI-0703
602	S0604A2042	TNF-XI-0604	652	S0654A2042	TNF-XI-0654	702	S0704A2042	TNF-XI-0704
603	S0605A2042	TNF-XI-0605	653	S0655A2042	TNF-XI-0655	703	S0705A2042	TNF-XI-0705
604	S0606A2042	TNF-XI-0606	654	S0656A2042	TNF-XI-0656	704	S0706A2042	TNF-XI-0706
605	S0607A2042	TNF-XI-0607	655	S0657A2042	TNF-XI-0657	705	S0707A2042	TNF-XI-0707
606	S0608A2042	TNF-XI-0608	656	S0658A2042	TNF-XI-0658	706	S0708A2042	TNF-XI-0708
607	S0609A2042	TNF-XI-0609	657	S0659A2042	TNF-XI-0659	707	S0709A2042	TNF-XI-0709
608	S0610A2042	TNF-XI-0610	658	S0660A2042	TNF-XI-0660	708	S0710A2042	TNF-XI-0710
609	S0611A2042	TNF-XI-0611	659	S0661A2042	TNF-XI-0661	709	S0711A2042	TNF-XI-0711
610	S0612A2042	TNF-XI-0612	660	S0662A2042	TNF-XI-0662	710	S0712A2042	TNF-XI-0712
611	S0613A2042	TNF-XI-0613	661	S0663A2042	TNF-XI-0663	711	S0713A2042	TNF-XI-0713
612	S0614A2042	TNF-XI-0614	662	S0664A2042	TNF-XI-0664	712	S0714A2042	TNF-XI-0714
613	S0615A2042	TNF-XI-0615	663	S0665A2042	TNF-XI-0665	713	S0715A2042	TNF-XI-0715
614	S0616A2042	TNF-XI-0616	664	S0666A2042	TNF-XI-0666	714	S0716A2042	TNF-XI-0716
615	S0617A2042	TNF-XI-0617	665	S0667A2042	TNF-XI-0667	715	S0717A2042	TNF-XI-0717
616	S0618A2042	TNF-XI-0618	666	S0668A2042	TNF-XI-0668	716	S0718A2042	TNF-XI-0718
617	S0619A2042	TNF-XI-0619	667	S0669A2042	TNF-XI-0669	717	S0719A2042	TNF-XI-0719
618	S0620A2042	TNF-XI-0620	668	S0670A2042	TNF-XI-0670	718	S0720A2042	TNF-XI-0720
619	S0621A2042	TNF-XI-0621	669	S0671A2042	TNF-XI-0671	719	S0721A2042	TNF-XI-0721
620	S0622A2042	TNF-XI-0622	670	S0672A2042	TNF-XI-0672	720	S0722A2042	TNF-XI-0722
621	S0623A2042	TNF-XI-0623	671	S0673A2042	TNF-XI-0673	721	S0723A2042	TNF-XI-0723
622	S0624A2042	TNF-XI-0624	672	S0674A2042	TNF-XI-0674	722	S0724A2042	TNF-XI-0724
623	S0625A2042	TNF-XI-0625	673	S0675A2042	TNF-XI-0675	723	S0725A2042	TNF-XI-0725
624	S0626A2042	TNF-XI-0626	674	S0676A2042	TNF-XI-0676	724	S0726A2042	TNF-XI-0726
625	S0627A2042	TNF-XI-0627	675	S0677A2042	TNF-XI-0677	725	S0727A2042	TNF-XI-0727
626	S0628A2042	TNF-XI-0628	676	S0678A2042	TNF-XI-0678	726	S0728A2042	TNF-XI-0728
627	S0629A2042	TNF-XI-0629	677	S0679A2042	TNF-XI-0679	727	S0729A2042	TNF-XI-0729
628	S0630A2042	TNF-XI-0630	678	S0680A2042	TNF-XI-0680	728	S0730A2042	TNF-XI-0730
629	S0631A2042	TNF-XI-0631	679	S0681A2042	TNF-XI-0681	729	S0731A2042	TNF-XI-0731
630	S0632A2042	TNF-XI-0632	680	S0682A2042	TNF-XI-0682	730	S0732A2042	TNF-XI-0732
631	S0633A2042	TNF-XI-0633	681	S0683A2042	TNF-XI-0683	731	S0733A2042	TNF-XI-0733
632	S0634A2042	TNF-XI-0634	682	S0684A2042	TNF-XI-0684	732	S0734A2042	TNF-XI-0734
633	S0635A2042	TNF-XI-0635	683	S0685A2042	TNF-XI-0685	733	S0735A2042	TNF-XI-0735
634	S0636A2042	TNF-XI-0636	684	S0686A2042	TNF-XI-0686	734	S0736A2042	TNF-XI-0736
635	S0637A2042	TNF-XI-0637	685	S0687A2042	TNF-XI-0687	735	S0737A2042	TNF-XI-0737
636	S0638A2042	TNF-XI-0638	686	S0688A2042	TNF-XI-0688	736	S0738A2042	TNF-XI-0738
637	S0639A2042	TNF-XI-0639	687	S0689A2042	TNF-XI-0689	737	S0739A2042	TNF-XI-0739
638	S0640A2042	TNF-XI-0640	688	S0690A2042	TNF-XI-0690	738	S0740A2042	TNF-XI-0740
639	S0641A2042	TNF-XI-0641	689	S0691A2042	TNF-XI-0691	739	S0741A2042	TNF-XI-0741
640	S0642A2042	TNF-XI-0642	690	S0692A2042	TNF-XI-0692	740	S0742A2042	TNF-XI-0742
641	S0643A2042	TNF-XI-0643	691	S0693A2042	TNF-XI-0693	741	S0743A2042	TNF-XI-0743
642	S0644A2042	TNF-XI-0644	692	S0694A2042	TNF-XI-0694	742	S0744A2042	TNF-XI-0744
643	S0645A2042	TNF-XI-0645	693	S0695A2042	TNF-XI-0695	743	S0746A2042	TNF-XI-0746
644	S0646A2042	TNF-XI-0646	694	S0696A2042	TNF-XI-0696	744	S0747A2042	TNF-XI-0747
645	S0647A2042	TNF-XI-0647	695	S0697A2042	TNF-XI-0697	745	S0748A2042	TNF-XI-0748
646	S0648A2042	TNF-XI-0648	696	S0698A2042	TNF-XI-0698	746	S0749A2042	TNF-XI-0749
647	S0649A2042	TNF-XI-0649	697	S0699A2042	TNF-XI-0699	747	S0750A2042	TNF-XI-0750
648	S0650A2042	TNF-XI-0650	698	S0700A2042	TNF-XI-0700	748	S0751A2042	TNF-XI-0751
649	S0651A2042	TNF-XI-0651	699	S0701A2042	TNF-XI-0701	749	S0752A2042	TNF-XI-0752
650	S0652A2042	TNF-XI-0652	700	S0702A2042	TNF-XI-0702	750	S0753A2042	TNF-XI-0753
751	S0754A2042	TNF-XI-0754	752	S0755A2042	TNF-XI-0755	753	S0756A2042	TNF-XI-0756
754	S0757A2042	TNF-XI-0757	755	S0758A2042	TNF-XI-0758	756	S0759A2042	TNF-XI-0759
757	S0760A2042	TNF-XI-0760	758	S0761A2042	TNF-XI-0761	759	S0762A2042	TNF-XI-0762
760	S0763A2042	TNF-XI-0763	761	S0764A2042	TNF-XI-0764	762	S0765A2042	TNF-XI-0765
763	S0766A2042	TNF-XI-0766	764	S0767A2042	TNF-XI-0767	765	S0768A2042	TNF-XI-0768
766	S0769A2042	TNF-XI-0769	767	S0770A2042	TNF-XI-0770	768	S0771A2042	TNF-XI-0771
769	S0772A2042	TNF-XI-0772	770	S0773A2042	TNF-XI-0773	771	S0774A2042	TNF-XI-0774
772	S0775A2042	TNF-XI-0775	773	S0776A2042	TNF-XI-0776	774	S0777A2042	TNF-XI-0777
775	S0778A2042	TNF-XI-0778	776	S0779A2042	TNF-XI-0779	777	S0780A2042	TNF-XI-0780
778	S0781A2042	TNF-XI-0781	779	S0782A2042	TNF-XI-0782	780	S0783A2042	TNF-XI-0783
781	S0784A2042	TNF-XI-0784	782	S0785A2042	TNF-XI-0785	783	S0786A2042	TNF-XI-0786
784	S0787A2042	TNF-XI-0787	785	S0788A2042	TNF-XI-0788	786	S0789A2042	TNF-XI-0789
787	S0790A2042	TNF-XI-0790	788	S0791A2042	TNF-XI-0791	789	S0792A2042	TNF-XI-0792
790	S0793A2042	TNF-XI-0793	791	S0794A2042	TNF-XI-0794	792	S0795A2042	TNF-XI-0795
793	S0796A2042	TNF-XI-0796	794	S0797A2042	TNF-XI-0797	795	S0798A2042	TNF-XI-0798
796	S0799A2042	TNF-XI-0799	797	S0800A2042	TNF-XI-0800	798	S0801A2042	TNF-XI-0801
799	S0802A2042	TNF-XI-0802	800	S0804A2042	TNF-XI-0804			

表 1 承認容器登録番号 (つづき)

(設計承認番号 : J/2042/AF)

(その5)

承認容器 登録番号	製造番号	承認容器 登録番号	製造番号	承認容器 登録番号	製造番号	承認容器 登録番号	製造番号	
801	S0805A2042	TNF-XI-0805	851	S0863A2042	TNF-XI-0863	901	S0939A2042	TNF-XI-0939
802	S0806A2042	TNF-XI-0806	852	S0864A2042	TNF-XI-0864	902	S0940A2042	TNF-XI-0940
803	S0807A2042	TNF-XI-0807	853	S0865A2042	TNF-XI-0865	903	S0942A2042	TNF-XI-0942
804	S0809A2042	TNF-XI-0809	854	S0866A2042	TNF-XI-0866	904	S0943A2042	TNF-XI-0943
805	S0810A2042	TNF-XI-0810	855	S0867A2042	TNF-XI-0867	905	S0944A2042	TNF-XI-0944
806	S0811A2042	TNF-XI-0811	856	S0868A2042	TNF-XI-0868	906	S0947A2042	TNF-XI-0947
807	S0812A2042	TNF-XI-0812	857	S0869A2042	TNF-XI-0869	907	S0949A2042	TNF-XI-0949
808	S0813A2042	TNF-XI-0813	858	S0871A2042	TNF-XI-0871	908	S0950A2042	TNF-XI-0950
809	S0814A2042	TNF-XI-0814	859	S0873A2042	TNF-XI-0873	909	S0952A2042	TNF-XI-0952
810	S0815A2042	TNF-XI-0815	860	S0874A2042	TNF-XI-0874	910	S0953A2042	TNF-XI-0953
811	S0816A2042	TNF-XI-0816	861	S0876A2042	TNF-XI-0876	911	S0954A2042	TNF-XI-0954
812	S0817A2042	TNF-XI-0817	862	S0877A2042	TNF-XI-0877	912	S0955A2042	TNF-XI-0955
813	S0818A2042	TNF-XI-0818	863	S0878A2042	TNF-XI-0878	913	S0956A2042	TNF-XI-0956
814	S0819A2042	TNF-XI-0819	864	S0879A2042	TNF-XI-0879	914	S0958A2042	TNF-XI-0958
815	S0820A2042	TNF-XI-0820	865	S0881A2042	TNF-XI-0881	915	S0959A2042	TNF-XI-0959
816	S0821A2042	TNF-XI-0821	866	S0883A2042	TNF-XI-0883	916	S0960A2042	TNF-XI-0960
817	S0822A2042	TNF-XI-0822	867	S0885A2042	TNF-XI-0885			—以下余白—
818	S0823A2042	TNF-XI-0823	868	S0886A2042	TNF-XI-0886			
819	S0824A2042	TNF-XI-0824	869	S0887A2042	TNF-XI-0887			
820	S0825A2042	TNF-XI-0825	870	S0888A2042	TNF-XI-0888			
821	S0826A2042	TNF-XI-0826	871	S0889A2042	TNF-XI-0889			
822	S0827A2042	TNF-XI-0827	872	S0890A2042	TNF-XI-0890			
823	S0828A2042	TNF-XI-0828	873	S0891A2042	TNF-XI-0891			
824	S0829A2042	TNF-XI-0829	874	S0894A2042	TNF-XI-0894			
825	S0830A2042	TNF-XI-0830	875	S0895A2042	TNF-XI-0895			
826	S0831A2042	TNF-XI-0831	876	S0896A2042	TNF-XI-0896			
827	S0832A2042	TNF-XI-0832	877	S0897A2042	TNF-XI-0897			
828	S0834A2042	TNF-XI-0834	878	S0900A2042	TNF-XI-0900			
829	S0837A2042	TNF-XI-0837	879	S0901A2042	TNF-XI-0901			
830	S0838A2042	TNF-XI-0838	880	S0902A2042	TNF-XI-0902			
831	S0840A2042	TNF-XI-0840	881	S0903A2042	TNF-XI-0903			
832	S0841A2042	TNF-XI-0841	882	S0904A2042	TNF-XI-0904			
833	S0843A2042	TNF-XI-0843	883	S0905A2042	TNF-XI-0905			
834	S0844A2042	TNF-XI-0844	884	S0906A2042	TNF-XI-0906			
835	S0845A2042	TNF-XI-0845	885	S0907A2042	TNF-XI-0907			
836	S0846A2042	TNF-XI-0846	886	S0909A2042	TNF-XI-0909			
837	S0847A2042	TNF-XI-0847	887	S0910A2042	TNF-XI-0910			
838	S0848A2042	TNF-XI-0848	888	S0912A2042	TNF-XI-0912			
839	S0849A2042	TNF-XI-0849	889	S0913A2042	TNF-XI-0913			
840	S0851A2042	TNF-XI-0851	890	S0915A2042	TNF-XI-0915			
841	S0852A2042	TNF-XI-0852	891	S0917A2042	TNF-XI-0917			
842	S0853A2042	TNF-XI-0853	892	S0918A2042	TNF-XI-0918			
843	S0854A2042	TNF-XI-0854	893	S0920A2042	TNF-XI-0920			
844	S0855A2042	TNF-XI-0855	894	S0923A2042	TNF-XI-0923			
845	S0856A2042	TNF-XI-0856	895	S0924A2042	TNF-XI-0924			
846	S0857A2042	TNF-XI-0857	896	S0928A2042	TNF-XI-0928			
847	S0858A2042	TNF-XI-0858	897	S0935A2042	TNF-XI-0935			
848	S0859A2042	TNF-XI-0859	898	S0936A2042	TNF-XI-0936			
849	S0860A2042	TNF-XI-0860	899	S0937A2042	TNF-XI-0937			
850	S0861A2042	TNF-XI-0861	900	S0938A2042	TNF-XI-0938			

容器承認書

原規規発第 2207206 号

令和 4 年 7 月 20 日

原子燃料工業株式会社

代表取締役社長 伊藤 義章 殿

原子力規制委員会

核原料物質、核燃料物質及び原子炉の規制に関する法律（昭和 32 年法律第 166 号）第 59 条第 3 項及び核燃料物質等の工場又は事業所の外における運搬に関する規則（昭和 53 年総理府令第 57 号）第 21 条第 1 項の規定に基づき、令和 4 年 5 月 30 日付け熊原第 22-005 号（以下「申請書」という。）をもって申請のあった輸送容器については、同法第 59 条第 1 項に規定する技術上の基準のうち容器に関する基準に適合していると認められるので、同法第 59 条第 3 項の規定に基づき、下記のとおり承認します。

記

氏名又は名称及び住所並びに法人にあっては、その代表者の氏名
添付の申請書の写しに記載のとおり

承認容器として使用する期間

令和 4 年 7 月 20 日から令和 24 年 11 月 7 日まで

ただし、核燃料物質等の工場又は事業所の外における運搬に関する規則（昭和53年総理府令第57号）及び核燃料物質等の工場又は事業所の外における運搬に関する技術上の基準に係る細目等を定める告示（平成2年科学技術庁告示第5号）（以下「規則等」という。）の改正により、規則等に定める技術上の基準（容器に係るものに限る。）に適合しなくなった場合は失効する。

承認容器登録番号

各容器につき以下のとおり

S※A2042（注）

（注）※は添付の申請書の写しの5.に記載された製造番号のうち、TNF-XI-を除いた部分の数字を指す。例えば、製造番号がTNF-XI-0001ならば、承認容器登録番号はS0001A2042となる。

核燃料物質等の工場又は事業所の外における運搬に関する規則（昭和53年総理府令第57号）第22条第2号から第5号まで、第8号及び第9号に掲げる事項

添付の申請書の写しの1.から4.まで及び7.に記載のとおり

容器承認申請書

熊原第 22-005 号

令和 4 年 05 月 30 日

原子力規制委員会殿

住所 神奈川県横浜市鶴見区鶴見中央四丁目 33 番 5 号

氏名 原子燃料工業株式会社

代表取締役社長 伊藤 義章

核原料物質、核燃料物質及び原子炉の規制に関する法律第 59 条第 3 項及び核燃料物質等の工場又は事業所の外における運搬に関する規則第 21 条第 1 項の規定により、下記のとおり申請します。

記

1. 輸送容器の名称

TNF-XI 型

2. 輸送容器の外形寸法及び重量

(1) 輸送容器の外形寸法

長さ：約 1.10m

幅：約 1.10m

高さ：約 1.04m

(2) 輸送容器の重量

660kg 以下

(3) 核燃料輸送物の総重量

1,050kg 以下

(4) 輸送容器の概略を示す図

図 1 のとおり

詳細形状は、本核燃料輸送物の核燃料輸送物設計承認申請書（令和 4 年 1 月 26 日付熊原第 21-021 号（令和 4 年 3 月 17 日付第 22-002 号をもって一部補正））に係る別紙 1 の(イ)ー第 1 図から(イ)ー第 11 図までに示されている。

(5) 輸送容器の主要材料

表 1 のとおり

3. 核燃料輸送物の種類

- (1) 核燃料輸送物の種類 : A 型輸送物及び核分裂性物質に係る核燃料輸送物
- (2) 輸送制限個数 : 100 個 (ケース 1、粉末収納缶を使用しウラン酸化物を収納)
制限なし (ケース 2、長尺粉末収納缶を使用しウラン酸化物を収納)
制限なし (ケース 3、粉末収納缶を使用しウラン残渣を収納)
- (3) 配列方法 : 任意
- (4) 臨界安全指数 : 0.5 (ケース 1、粉末収納缶を使用しウラン酸化物を収納)
0 (ケース 2、長尺粉末収納缶を使用しウラン酸化物を収納)
0 (ケース 3、粉末収納缶を使用しウラン残渣を収納)

4. 収納する核燃料物質等の種類、性状、重量及び放射能の量

表 2～表 11 のとおり

5. 承認を受けようとする容器の製造番号その他の当該容器と他の容器を区別するための番号

表 12 のとおり

6. 承認容器として使用することを予定している期間

2042 年 11 月 7 日まで

7. その他特記事項

- (1) 核燃料輸送物設計承認番号
J/2042/AF
- (2) 輸送容器の保守及び核燃料輸送物の取扱いに関する事項
本輸送容器の保守及び核燃料輸送物の取扱いについては、本核燃料輸送物の核燃料輸送物設計承認申請書 (令和 4 年 1 月 26 日付熊原第 21-021 号 (令和 4 年 3 月 17 日付第 22-002 号をもって一部補正)) に係る別紙のとおり。
- (3) 承認容器として使用する期間に関連する情報
容器製造後にはじめて承認された日は表 13 のとおり。

表 1 輸送容器の主要材料

容 器 部 位	材 質
外容器	ステンレス鋼
内容器	ステンレス鋼
耐熱衝撃緩衝材	フェノリックフォーム
中性子吸収材	ボロン入りレジン、ボロン入りステンレス鋼
外蓋外殻	ステンレス鋼
外蓋補強材	アルミニウム合金
内蓋	ステンレス鋼
ガスケット	エチレン・プロピレンゴム

表2 収納する核燃料物質等の種類、性状、重量及び放射能の量（ケース1）

種類	ウラン酸化物 (UO ₂ , U ₃ O ₈ 又は UO ₃) 及び添加物 (表3)		
性状	固体 (粉末、焼結体又はスクラップ)		
重量	表4の通り		
放射能の量	総量	4.012×10 ¹⁰ Bq 以下	
	主要な核種	²³² U	1.440×10 ⁸ Bq 以下
		²³⁴ U	2.895×10 ¹⁰ Bq 以下
		²³⁵ U	2.004×10 ⁹ Bq 以下
		²³⁶ U	1.499×10 ⁸ Bq 以下
		²³⁸ U	8.873×10 ⁹ Bq 以下
		⁹⁹ Tc	1.571×10 ⁶ Bq 以下
濃縮度	5.0%以下		
燃焼度	該当しない		
発熱量			
冷却日数			
濃縮ウラン中の不純物仕様	²³² U	≤0.0001 μg/gU	
	²³⁴ U	≤10×10 ³ μg/g ²³⁵ U	
	²³⁶ U	≤250 μg/gU	
	⁹⁹ Tc	≤0.01 μg/gU	
	ただし、 ²³⁶ U < 125 μg/gU の場合は、 ²³² U 及び ⁹⁹ Tc は適用外		

表3 添加物（ケース1）

	添加物	化学式	最大添加量
A	ステアリン酸マグネシウム	Mg(C ₁₇ H ₃₅ COO) ₂	
B	ステアリン酸亜鉛	(CH ₃ (CH ₂) ₁₆ COO) ₂ Zn	
C	エチレンビスステアリン酸アミド	C ₁₇ H ₃₅ CONHCH ₂ CH ₂ NHCOC ₁₇ H ₃₅	
D	ガドリニア	Gd ₂ O ₃	
E	エルビア	Er ₂ O ₃	
F	アゾジカルボンアミド	C ₂ H ₄ N ₄ O ₂	

表4 内容器の収納制限（ケース1）

（ポリエチレン製袋、添加物 A、B、C の合計重量が 390g 以下）

濃縮度	装荷制限条件(kg)		
	粉 末	焼結体	スクラップ
4.45%以下	71.00	63.50	71.00
4.55%以下	71.00	63.50	71.00
4.65%以下	71.00	63.50	68.75
4.75%以下	71.00	63.50	65.00
4.85%以下	71.00	62.50	62.50
5.00%以下	71.00	58.75	58.75

（ポリエチレン製袋、添加物 A、B、C の合計重量が 390g を超えて 1620g 以下）

濃縮度	装荷制限条件(kg)		
	粉 末	焼結体	スクラップ
4.45%以下	71.00	63.50	71.00
4.55%以下	71.00	63.50	67.50
4.65%以下	71.00	63.50	65.25
4.75%以下	71.00	61.75	61.75
4.85%以下	71.00	59.25	59.25
5.00%以下	71.00	55.75	55.75

*装荷制限条件には、ウラン酸化物と添加物（A～F）の合計重量を記載している。

*輸送容器には、4個の内容器があるため最大重量は、それぞれ4倍した値となる。

*各内容器に最大4.0kgのブロッキングシステムを収納する。

*焼結体を収納する場合は、各内容器に最大7.5kgステンレス鋼製の波板等を収納する。

*輸送容器には、収納する核燃料物質等の有無に関係なく、各内容器に3個（輸送容器1基で計12個）の粉末収納缶が収納される。

*粉末収納缶には、表5に記載する仕様のボロン入りステンレス鋼製リングが粉末収納缶内側に接着固定される。

*ウラン酸化物を収納した粉末収納缶（ケース1）、ウラン酸化物を収納した長尺粉末収納缶（ケース2）、及びウラン残渣を収納した粉末収納缶（ケース3）は同一輸送容器内に混載しない。

表5 ボロン入りステンレス鋼製リング仕様

外径			mm	高さ			mm
板厚			mm	重量			4kg
材料	ボロン入りステンレス鋼	化学成分	Cr				
			Ni				
			B				

表6 収納する核燃料物質等の種類、性状、重量及び放射能の量（ケース2）

種類	ウラン酸化物（UO ₂ , U ₃ O ₈ 又はUO ₃ ）及び添加物（表7）		
性状	固体（粉末、焼結体又はスクラップ）		
重量	表8の通り		
放射能の量	総量	1.413×10 ⁹ Bq 以下	
	主要な核種	²³² U	5.070×10 ⁶ Bq 以下
		²³⁴ U	1.019×10 ⁹ Bq 以下
		²³⁵ U	7.057×10 ⁸ Bq 以下
		²³⁶ U	5.277×10 ⁶ Bq 以下
		²³⁸ U	3.124×10 ⁸ Bq 以下
		⁹⁹ Tc	2.765×10 ⁵ Bq 以下
濃縮度	5.0%以下		
燃焼度	該当しない		
発熱量			
冷却日数			
濃縮ウラン中の不純物仕様	²³² U	≤0.0001 μg/gU	
	²³⁴ U	≤10×10 ³ μg/g ²³⁵ U	
	²³⁶ U	≤250 μg/gU	
	⁹⁹ Tc	≤0.05 μg/gU	

表7 添加物（ケース2）

	添加物	化学式	最大添加量
A	ステアリン酸マグネシウム	Mg(C ₁₇ H ₃₅ COO) ₂	<div style="border: 1px solid black; width: 100%; height: 100%;"></div>
B	ステアリン酸亜鉛	(CH ₃ (CH ₂) ₁₆ COO) ₂ Zn	
C	エチレンビスステアリン酸アミド	C ₁₇ H ₃₅ CONHCH ₂ CH ₂ NHCOC ₁₇ H ₃₅	
D	ガドリニア	Gd ₂ O ₃	
E	エルビア	Er ₂ O ₃	
F	アゾジカルボンアミド	C ₂ H ₄ N ₄ O ₂	

表 8 各内容器当たりの収納制限（ケース 2）

装荷制限条件(kg)			
ウラン酸化物量 (濃縮度 5%以下)	添加物、緩衝材合計	袋、瓶合計	合計
10.00	5.00	5.00	20.00

*収納物を装荷する内容器は 1 つのみであり、その中に 1 個の長尺粉末収納缶を装荷する。

*装荷制限条件は粉末、焼結体、スクラップ全て同じものである。

*ウラン酸化物を収納した粉末収納缶（ケース 1）、ウラン酸化物を収納した長尺粉末収納缶（ケース 2）、及びウラン残渣を収納した粉末収納缶（ケース 3）は同一輸送容器内に混載しない。

表 9 収納する核燃料物質等の種類、性状、重量及び放射能の量（ケース 3）

種類	ウラン化合物及びその他の含有物（表 10 の通り）		
性状	固体		
重量	表 11 の通り		
放射能の量*	総量	3.206 × 10 ⁹ Bq 以下	
	主要な核種	²³² U	1.150 × 10 ⁷ Bq 以下
		²³⁴ U	2.313 × 10 ⁹ Bq 以下
		²³⁵ U	1.601 × 10 ⁸ Bq 以下
		²³⁶ U	1.197 × 10 ⁷ Bq 以下
		²³⁸ U	7.089 × 10 ⁸ Bq 以下
	⁹⁹ Tc	1.255 × 10 ⁵ Bq 以下	
濃縮度	20.0%以下		
燃焼度	該当しない		
発熱量			
冷却日数			
濃縮ウラン中の不純物仕様	濃縮度 5.0% 以下	²³² U	≦ 0.0001 μ g/gU
		²³⁴ U	≦ 10 × 10 ³ μ g/g ²³⁵ U
		²³⁶ U	≦ 250 μ g/gU
		⁹⁹ Tc	≦ 0.01 μ g/gU
	ただし、 ²³⁶ U ≦ 125 μ g/gU の場合は、 ²³² U 及び ⁹⁹ Tc は適用外		
	濃縮度 20.0%以下	²³² U	≦ 0.0004 μ g/gU
		²³⁴ U	≦ 10 × 10 ³ μ g/g ²³⁵ U
		²³⁶ U	≦ 1000 μ g/gU
⁹⁹ Tc		≦ 0.04 μ g/gU	

表 10 ウラン化合物及びその他の含有物（ケース 3）

項目	含有物
ウラン化合物の化学形態	
その他の含有物	

表 11 内容器の収納制限 (ケース 3)

濃縮度	装荷制限条件	
	kg-U	kg-ウラン残渣
5.00%以下	5.00	71.0
20.00%以下	0.50	71.0

* 輸送容器には、4 個の内容器があるため最大重量は、それぞれ 4 倍した値となる。

* 輸送容器には、収納する核燃料物質等の有無に関係なく、各内容器に 3 個（輸送容器 1 基で計 12 個）の粉末収納缶が収納される。

* 各内容器に最大 4.0 kg のブロックシステムを収納する。

* 粉末収納缶には、表 5 に記載する仕様のボロン入りステンレス鋼製リングが粉末収納缶内側に接着固定される。

* ウラン酸化物を収納した粉末収納缶 (ケース 1)、ウラン酸化物を収納した長尺粉末収納缶 (ケース 2)、及びウラン残渣を収納した粉末収納缶 (ケース 3) は同一輸送容器内に混載しない。

表 12 承認を受けようとする容器の製造番号

(その1)

製造番号		製造番号		製造番号		製造番号	
1	TNF-XI-0001	51	TNF-XI-0051	101	TNF-XI-0102	151	TNF-XI-0153
2	TNF-XI-0002	52	TNF-XI-0052	102	TNF-XI-0103	152	TNF-XI-0154
3	TNF-XI-0003	53	TNF-XI-0053	103	TNF-XI-0104	153	TNF-XI-0155
4	TNF-XI-0004	54	TNF-XI-0054	104	TNF-XI-0105	154	TNF-XI-0156
5	TNF-XI-0005	55	TNF-XI-0055	105	TNF-XI-0106	155	TNF-XI-0157
6	TNF-XI-0006	56	TNF-XI-0056	106	TNF-XI-0107	156	TNF-XI-0158
7	TNF-XI-0007	57	TNF-XI-0057	107	TNF-XI-0108	157	TNF-XI-0159
8	TNF-XI-0008	58	TNF-XI-0058	108	TNF-XI-0109	158	TNF-XI-0160
9	TNF-XI-0009	59	TNF-XI-0059	109	TNF-XI-0110	159	TNF-XI-0161
10	TNF-XI-0010	60	TNF-XI-0060	110	TNF-XI-0111	160	TNF-XI-0162
11	TNF-XI-0011	61	TNF-XI-0061	111	TNF-XI-0112	161	TNF-XI-0163
12	TNF-XI-0012	62	TNF-XI-0062	112	TNF-XI-0113	162	TNF-XI-0164
13	TNF-XI-0013	63	TNF-XI-0063	113	TNF-XI-0114	163	TNF-XI-0165
14	TNF-XI-0014	64	TNF-XI-0064	114	TNF-XI-0116	164	TNF-XI-0166
15	TNF-XI-0015	65	TNF-XI-0065	115	TNF-XI-0117	165	TNF-XI-0167
16	TNF-XI-0016	66	TNF-XI-0066	116	TNF-XI-0118	166	TNF-XI-0168
17	TNF-XI-0017	67	TNF-XI-0067	117	TNF-XI-0119	167	TNF-XI-0169
18	TNF-XI-0018	68	TNF-XI-0068	118	TNF-XI-0120	168	TNF-XI-0170
19	TNF-XI-0019	69	TNF-XI-0069	119	TNF-XI-0121	169	TNF-XI-0171
20	TNF-XI-0020	70	TNF-XI-0070	120	TNF-XI-0122	170	TNF-XI-0172
21	TNF-XI-0021	71	TNF-XI-0071	121	TNF-XI-0123	171	TNF-XI-0173
22	TNF-XI-0022	72	TNF-XI-0072	122	TNF-XI-0124	172	TNF-XI-0174
23	TNF-XI-0023	73	TNF-XI-0073	123	TNF-XI-0125	173	TNF-XI-0175
24	TNF-XI-0024	74	TNF-XI-0074	124	TNF-XI-0126	174	TNF-XI-0176
25	TNF-XI-0025	75	TNF-XI-0075	125	TNF-XI-0127	175	TNF-XI-0177
26	TNF-XI-0026	76	TNF-XI-0076	126	TNF-XI-0128	176	TNF-XI-0178
27	TNF-XI-0027	77	TNF-XI-0078	127	TNF-XI-0129	177	TNF-XI-0179
28	TNF-XI-0028	78	TNF-XI-0079	128	TNF-XI-0130	178	TNF-XI-0180
29	TNF-XI-0029	79	TNF-XI-0080	129	TNF-XI-0131	179	TNF-XI-0181
30	TNF-XI-0030	80	TNF-XI-0081	130	TNF-XI-0132	180	TNF-XI-0182
31	TNF-XI-0031	81	TNF-XI-0082	131	TNF-XI-0133	181	TNF-XI-0183
32	TNF-XI-0032	82	TNF-XI-0083	132	TNF-XI-0134	182	TNF-XI-0184
33	TNF-XI-0033	83	TNF-XI-0084	133	TNF-XI-0135	183	TNF-XI-0185
34	TNF-XI-0034	84	TNF-XI-0085	134	TNF-XI-0136	184	TNF-XI-0186
35	TNF-XI-0035	85	TNF-XI-0086	135	TNF-XI-0137	185	TNF-XI-0187
36	TNF-XI-0036	86	TNF-XI-0087	136	TNF-XI-0138	186	TNF-XI-0188
37	TNF-XI-0037	87	TNF-XI-0088	137	TNF-XI-0139	187	TNF-XI-0189
38	TNF-XI-0038	88	TNF-XI-0089	138	TNF-XI-0140	188	TNF-XI-0190
39	TNF-XI-0039	89	TNF-XI-0090	139	TNF-XI-0141	189	TNF-XI-0191
40	TNF-XI-0040	90	TNF-XI-0091	140	TNF-XI-0142	190	TNF-XI-0192
41	TNF-XI-0041	91	TNF-XI-0092	141	TNF-XI-0143	191	TNF-XI-0193
42	TNF-XI-0042	92	TNF-XI-0093	142	TNF-XI-0144	192	TNF-XI-0194
43	TNF-XI-0043	93	TNF-XI-0094	143	TNF-XI-0145	193	TNF-XI-0195
44	TNF-XI-0044	94	TNF-XI-0095	144	TNF-XI-0146	194	TNF-XI-0196
45	TNF-XI-0045	95	TNF-XI-0096	145	TNF-XI-0147	195	TNF-XI-0197
46	TNF-XI-0046	96	TNF-XI-0097	146	TNF-XI-0148	196	TNF-XI-0198
47	TNF-XI-0047	97	TNF-XI-0098	147	TNF-XI-0149	197	TNF-XI-0199
48	TNF-XI-0048	98	TNF-XI-0099	148	TNF-XI-0150	198	TNF-XI-0200
49	TNF-XI-0049	99	TNF-XI-0100	149	TNF-XI-0151	199	TNF-XI-0201
50	TNF-XI-0050	100	TNF-XI-0101	150	TNF-XI-0152	200	TNF-XI-0202

表 12 承認を受けようとする容器の製造番号

(その2)

製造番号		製造番号		製造番号		製造番号	
201	TNF-XI-0203	251	TNF-XI-0253	301	TNF-XI-0303	351	TNF-XI-0353
202	TNF-XI-0204	252	TNF-XI-0254	302	TNF-XI-0304	352	TNF-XI-0354
203	TNF-XI-0205	253	TNF-XI-0255	303	TNF-XI-0305	353	TNF-XI-0355
204	TNF-XI-0206	254	TNF-XI-0256	304	TNF-XI-0306	354	TNF-XI-0356
205	TNF-XI-0207	255	TNF-XI-0257	305	TNF-XI-0307	355	TNF-XI-0357
206	TNF-XI-0208	256	TNF-XI-0258	306	TNF-XI-0308	356	TNF-XI-0358
207	TNF-XI-0209	257	TNF-XI-0259	307	TNF-XI-0309	357	TNF-XI-0359
208	TNF-XI-0210	258	TNF-XI-0260	308	TNF-XI-0310	358	TNF-XI-0360
209	TNF-XI-0211	259	TNF-XI-0261	309	TNF-XI-0311	359	TNF-XI-0361
210	TNF-XI-0212	260	TNF-XI-0262	310	TNF-XI-0312	360	TNF-XI-0362
211	TNF-XI-0213	261	TNF-XI-0263	311	TNF-XI-0313	361	TNF-XI-0363
212	TNF-XI-0214	262	TNF-XI-0264	312	TNF-XI-0314	362	TNF-XI-0364
213	TNF-XI-0215	263	TNF-XI-0265	313	TNF-XI-0315	363	TNF-XI-0365
214	TNF-XI-0216	264	TNF-XI-0266	314	TNF-XI-0316	364	TNF-XI-0366
215	TNF-XI-0217	265	TNF-XI-0267	315	TNF-XI-0317	365	TNF-XI-0367
216	TNF-XI-0218	266	TNF-XI-0268	316	TNF-XI-0318	366	TNF-XI-0368
217	TNF-XI-0219	267	TNF-XI-0269	317	TNF-XI-0319	367	TNF-XI-0369
218	TNF-XI-0220	268	TNF-XI-0270	318	TNF-XI-0320	368	TNF-XI-0370
219	TNF-XI-0221	269	TNF-XI-0271	319	TNF-XI-0321	369	TNF-XI-0371
220	TNF-XI-0222	270	TNF-XI-0272	320	TNF-XI-0322	370	TNF-XI-0372
221	TNF-XI-0223	271	TNF-XI-0273	321	TNF-XI-0323	371	TNF-XI-0373
222	TNF-XI-0224	272	TNF-XI-0274	322	TNF-XI-0324	372	TNF-XI-0374
223	TNF-XI-0225	273	TNF-XI-0275	323	TNF-XI-0325	373	TNF-XI-0375
224	TNF-XI-0226	274	TNF-XI-0276	324	TNF-XI-0326	374	TNF-XI-0376
225	TNF-XI-0227	275	TNF-XI-0277	325	TNF-XI-0327	375	TNF-XI-0377
226	TNF-XI-0228	276	TNF-XI-0278	326	TNF-XI-0328	376	TNF-XI-0378
227	TNF-XI-0229	277	TNF-XI-0279	327	TNF-XI-0329	377	TNF-XI-0379
228	TNF-XI-0230	278	TNF-XI-0280	328	TNF-XI-0330	378	TNF-XI-0380
229	TNF-XI-0231	279	TNF-XI-0281	329	TNF-XI-0331	379	TNF-XI-0381
230	TNF-XI-0232	280	TNF-XI-0282	330	TNF-XI-0332	380	TNF-XI-0382
231	TNF-XI-0233	281	TNF-XI-0283	331	TNF-XI-0333	381	TNF-XI-0383
232	TNF-XI-0234	282	TNF-XI-0284	332	TNF-XI-0334	382	TNF-XI-0384
233	TNF-XI-0235	283	TNF-XI-0285	333	TNF-XI-0335	383	TNF-XI-0385
234	TNF-XI-0236	284	TNF-XI-0286	334	TNF-XI-0336	384	TNF-XI-0386
235	TNF-XI-0237	285	TNF-XI-0287	335	TNF-XI-0337	385	TNF-XI-0387
236	TNF-XI-0238	286	TNF-XI-0288	336	TNF-XI-0338	386	TNF-XI-0388
237	TNF-XI-0239	287	TNF-XI-0289	337	TNF-XI-0339	387	TNF-XI-0389
238	TNF-XI-0240	288	TNF-XI-0290	338	TNF-XI-0340	388	TNF-XI-0390
239	TNF-XI-0241	289	TNF-XI-0291	339	TNF-XI-0341	389	TNF-XI-0391
240	TNF-XI-0242	290	TNF-XI-0292	340	TNF-XI-0342	390	TNF-XI-0392
241	TNF-XI-0243	291	TNF-XI-0293	341	TNF-XI-0343	391	TNF-XI-0393
242	TNF-XI-0244	292	TNF-XI-0294	342	TNF-XI-0344	392	TNF-XI-0394
243	TNF-XI-0245	293	TNF-XI-0295	343	TNF-XI-0345	393	TNF-XI-0395
244	TNF-XI-0246	294	TNF-XI-0296	344	TNF-XI-0346	394	TNF-XI-0396
245	TNF-XI-0247	295	TNF-XI-0297	345	TNF-XI-0347	395	TNF-XI-0397
246	TNF-XI-0248	296	TNF-XI-0298	346	TNF-XI-0348	396	TNF-XI-0398
247	TNF-XI-0249	297	TNF-XI-0299	347	TNF-XI-0349	397	TNF-XI-0399
248	TNF-XI-0250	298	TNF-XI-0300	348	TNF-XI-0350	398	TNF-XI-0400
249	TNF-XI-0251	299	TNF-XI-0301	349	TNF-XI-0351	399	TNF-XI-0401
250	TNF-XI-0252	300	TNF-XI-0302	350	TNF-XI-0352	400	TNF-XI-0402

表 12 承認を受けようとする容器の製造番号

(その3)

製造番号	製造番号	製造番号	製造番号
401	TNF-XI-0403	451	TNF-XI-0453
402	TNF-XI-0404	452	TNF-XI-0454
403	TNF-XI-0405	453	TNF-XI-0455
404	TNF-XI-0406	454	TNF-XI-0456
405	TNF-XI-0407	455	TNF-XI-0457
406	TNF-XI-0408	456	TNF-XI-0458
407	TNF-XI-0409	457	TNF-XI-0459
408	TNF-XI-0410	458	TNF-XI-0460
409	TNF-XI-0411	459	TNF-XI-0461
410	TNF-XI-0412	460	TNF-XI-0462
411	TNF-XI-0413	461	TNF-XI-0463
412	TNF-XI-0414	462	TNF-XI-0464
413	TNF-XI-0415	463	TNF-XI-0465
414	TNF-XI-0416	464	TNF-XI-0466
415	TNF-XI-0417	465	TNF-XI-0467
416	TNF-XI-0418	466	TNF-XI-0468
417	TNF-XI-0419	467	TNF-XI-0469
418	TNF-XI-0420	468	TNF-XI-0470
419	TNF-XI-0421	469	TNF-XI-0471
420	TNF-XI-0422	470	TNF-XI-0472
421	TNF-XI-0423	471	TNF-XI-0473
422	TNF-XI-0424	472	TNF-XI-0474
423	TNF-XI-0425	473	TNF-XI-0475
424	TNF-XI-0426	474	TNF-XI-0476
425	TNF-XI-0427	475	TNF-XI-0477
426	TNF-XI-0428	476	TNF-XI-0478
427	TNF-XI-0429	477	TNF-XI-0479
428	TNF-XI-0430	478	TNF-XI-0480
429	TNF-XI-0431	479	TNF-XI-0481
430	TNF-XI-0432	480	TNF-XI-0482
431	TNF-XI-0433	481	TNF-XI-0483
432	TNF-XI-0434	482	TNF-XI-0484
433	TNF-XI-0435	483	TNF-XI-0485
434	TNF-XI-0436	484	TNF-XI-0486
435	TNF-XI-0437	485	TNF-XI-0487
436	TNF-XI-0438	486	TNF-XI-0488
437	TNF-XI-0439	487	TNF-XI-0489
438	TNF-XI-0440	488	TNF-XI-0490
439	TNF-XI-0441	489	TNF-XI-0491
440	TNF-XI-0442	490	TNF-XI-0492
441	TNF-XI-0443	491	TNF-XI-0493
442	TNF-XI-0444	492	TNF-XI-0494
443	TNF-XI-0445	493	TNF-XI-0495
444	TNF-XI-0446	494	TNF-XI-0496
445	TNF-XI-0447	495	TNF-XI-0497
446	TNF-XI-0448	496	TNF-XI-0498
447	TNF-XI-0449	497	TNF-XI-0499
448	TNF-XI-0450	498	TNF-XI-0500
449	TNF-XI-0451	499	TNF-XI-0501
450	TNF-XI-0452	500	TNF-XI-0502
501	TNF-XI-0503	551	TNF-XI-0553
502	TNF-XI-0504	552	TNF-XI-0554
503	TNF-XI-0505	553	TNF-XI-0555
504	TNF-XI-0506	554	TNF-XI-0556
505	TNF-XI-0507	555	TNF-XI-0557
506	TNF-XI-0508	556	TNF-XI-0558
507	TNF-XI-0509	557	TNF-XI-0559
508	TNF-XI-0510	558	TNF-XI-0560
509	TNF-XI-0511	559	TNF-XI-0561
510	TNF-XI-0512	560	TNF-XI-0562
511	TNF-XI-0513	561	TNF-XI-0563
512	TNF-XI-0514	562	TNF-XI-0564
513	TNF-XI-0515	563	TNF-XI-0565
514	TNF-XI-0516	564	TNF-XI-0566
515	TNF-XI-0517	565	TNF-XI-0567
516	TNF-XI-0518	566	TNF-XI-0568
517	TNF-XI-0519	567	TNF-XI-0569
518	TNF-XI-0520	568	TNF-XI-0570
519	TNF-XI-0521	569	TNF-XI-0571
520	TNF-XI-0522	570	TNF-XI-0572
521	TNF-XI-0523	571	TNF-XI-0573
522	TNF-XI-0524	572	TNF-XI-0574
523	TNF-XI-0525	573	TNF-XI-0575
524	TNF-XI-0526	574	TNF-XI-0576
525	TNF-XI-0527	575	TNF-XI-0577
526	TNF-XI-0528	576	TNF-XI-0578
527	TNF-XI-0529	577	TNF-XI-0579
528	TNF-XI-0530	578	TNF-XI-0580
529	TNF-XI-0531	579	TNF-XI-0581
530	TNF-XI-0532	580	TNF-XI-0582
531	TNF-XI-0533	581	TNF-XI-0583
532	TNF-XI-0534	582	TNF-XI-0584
533	TNF-XI-0535	583	TNF-XI-0585
534	TNF-XI-0536	584	TNF-XI-0586
535	TNF-XI-0537	585	TNF-XI-0587
536	TNF-XI-0538	586	TNF-XI-0588
537	TNF-XI-0539	587	TNF-XI-0589
538	TNF-XI-0540	588	TNF-XI-0590
539	TNF-XI-0541	589	TNF-XI-0591
540	TNF-XI-0542	590	TNF-XI-0592
541	TNF-XI-0543	591	TNF-XI-0593
542	TNF-XI-0544	592	TNF-XI-0594
543	TNF-XI-0545	593	TNF-XI-0595
544	TNF-XI-0546	594	TNF-XI-0596
545	TNF-XI-0547	595	TNF-XI-0597
546	TNF-XI-0548	596	TNF-XI-0598
547	TNF-XI-0549	597	TNF-XI-0599
548	TNF-XI-0550	598	TNF-XI-0600
549	TNF-XI-0551	599	TNF-XI-0601
550	TNF-XI-0552	600	TNF-XI-0602

表 12 承認を受けようとする容器の製造番号

(その4)

製造番号		製造番号		製造番号		製造番号	
601	TNF-XI-0603	651	TNF-XI-0653	701	TNF-XI-0703	751	TNF-XI-0754
602	TNF-XI-0604	652	TNF-XI-0654	702	TNF-XI-0704	752	TNF-XI-0755
603	TNF-XI-0605	653	TNF-XI-0655	703	TNF-XI-0705	753	TNF-XI-0756
604	TNF-XI-0606	654	TNF-XI-0656	704	TNF-XI-0706	754	TNF-XI-0757
605	TNF-XI-0607	655	TNF-XI-0657	705	TNF-XI-0707	755	TNF-XI-0758
606	TNF-XI-0608	656	TNF-XI-0658	706	TNF-XI-0708	756	TNF-XI-0759
607	TNF-XI-0609	657	TNF-XI-0659	707	TNF-XI-0709	757	TNF-XI-0760
608	TNF-XI-0610	658	TNF-XI-0660	708	TNF-XI-0710	758	TNF-XI-0761
609	TNF-XI-0611	659	TNF-XI-0661	709	TNF-XI-0711	759	TNF-XI-0762
610	TNF-XI-0612	660	TNF-XI-0662	710	TNF-XI-0712	760	TNF-XI-0763
611	TNF-XI-0613	661	TNF-XI-0663	711	TNF-XI-0713	761	TNF-XI-0764
612	TNF-XI-0614	662	TNF-XI-0664	712	TNF-XI-0714	762	TNF-XI-0765
613	TNF-XI-0615	663	TNF-XI-0665	713	TNF-XI-0715	763	TNF-XI-0766
614	TNF-XI-0616	664	TNF-XI-0666	714	TNF-XI-0716	764	TNF-XI-0767
615	TNF-XI-0617	665	TNF-XI-0667	715	TNF-XI-0717	765	TNF-XI-0768
616	TNF-XI-0618	666	TNF-XI-0668	716	TNF-XI-0718	766	TNF-XI-0769
617	TNF-XI-0619	667	TNF-XI-0669	717	TNF-XI-0719	767	TNF-XI-0770
618	TNF-XI-0620	668	TNF-XI-0670	718	TNF-XI-0720	768	TNF-XI-0771
619	TNF-XI-0621	669	TNF-XI-0671	719	TNF-XI-0721	769	TNF-XI-0772
620	TNF-XI-0622	670	TNF-XI-0672	720	TNF-XI-0722	770	TNF-XI-0773
621	TNF-XI-0623	671	TNF-XI-0673	721	TNF-XI-0723	771	TNF-XI-0774
622	TNF-XI-0624	672	TNF-XI-0674	722	TNF-XI-0724	772	TNF-XI-0775
623	TNF-XI-0625	673	TNF-XI-0675	723	TNF-XI-0725	773	TNF-XI-0776
624	TNF-XI-0626	674	TNF-XI-0676	724	TNF-XI-0726	774	TNF-XI-0777
625	TNF-XI-0627	675	TNF-XI-0677	725	TNF-XI-0727	775	TNF-XI-0778
626	TNF-XI-0628	676	TNF-XI-0678	726	TNF-XI-0728	776	TNF-XI-0779
627	TNF-XI-0629	677	TNF-XI-0679	727	TNF-XI-0729	777	TNF-XI-0780
628	TNF-XI-0630	678	TNF-XI-0680	728	TNF-XI-0730	778	TNF-XI-0781
629	TNF-XI-0631	679	TNF-XI-0681	729	TNF-XI-0731	779	TNF-XI-0782
630	TNF-XI-0632	680	TNF-XI-0682	730	TNF-XI-0732	780	TNF-XI-0783
631	TNF-XI-0633	681	TNF-XI-0683	731	TNF-XI-0733	781	TNF-XI-0784
632	TNF-XI-0634	682	TNF-XI-0684	732	TNF-XI-0734	782	TNF-XI-0785
633	TNF-XI-0635	683	TNF-XI-0685	733	TNF-XI-0735	783	TNF-XI-0786
634	TNF-XI-0636	684	TNF-XI-0686	734	TNF-XI-0736	784	TNF-XI-0787
635	TNF-XI-0637	685	TNF-XI-0687	735	TNF-XI-0737	785	TNF-XI-0788
636	TNF-XI-0638	686	TNF-XI-0688	736	TNF-XI-0738	786	TNF-XI-0789
637	TNF-XI-0639	687	TNF-XI-0689	737	TNF-XI-0739	787	TNF-XI-0790
638	TNF-XI-0640	688	TNF-XI-0690	738	TNF-XI-0740	788	TNF-XI-0791
639	TNF-XI-0641	689	TNF-XI-0691	739	TNF-XI-0741	789	TNF-XI-0792
640	TNF-XI-0642	690	TNF-XI-0692	740	TNF-XI-0742	790	TNF-XI-0793
641	TNF-XI-0643	691	TNF-XI-0693	741	TNF-XI-0743	791	TNF-XI-0794
642	TNF-XI-0644	692	TNF-XI-0694	742	TNF-XI-0744	792	TNF-XI-0795
643	TNF-XI-0645	693	TNF-XI-0695	743	TNF-XI-0746	793	TNF-XI-0796
644	TNF-XI-0646	694	TNF-XI-0696	744	TNF-XI-0747	794	TNF-XI-0797
645	TNF-XI-0647	695	TNF-XI-0697	745	TNF-XI-0748	795	TNF-XI-0798
646	TNF-XI-0648	696	TNF-XI-0698	746	TNF-XI-0749	796	TNF-XI-0799
647	TNF-XI-0649	697	TNF-XI-0699	747	TNF-XI-0750	797	TNF-XI-0800
648	TNF-XI-0650	698	TNF-XI-0700	748	TNF-XI-0751	798	TNF-XI-0801
649	TNF-XI-0651	699	TNF-XI-0701	749	TNF-XI-0752	799	TNF-XI-0802
650	TNF-XI-0652	700	TNF-XI-0702	750	TNF-XI-0753	800	TNF-XI-0804

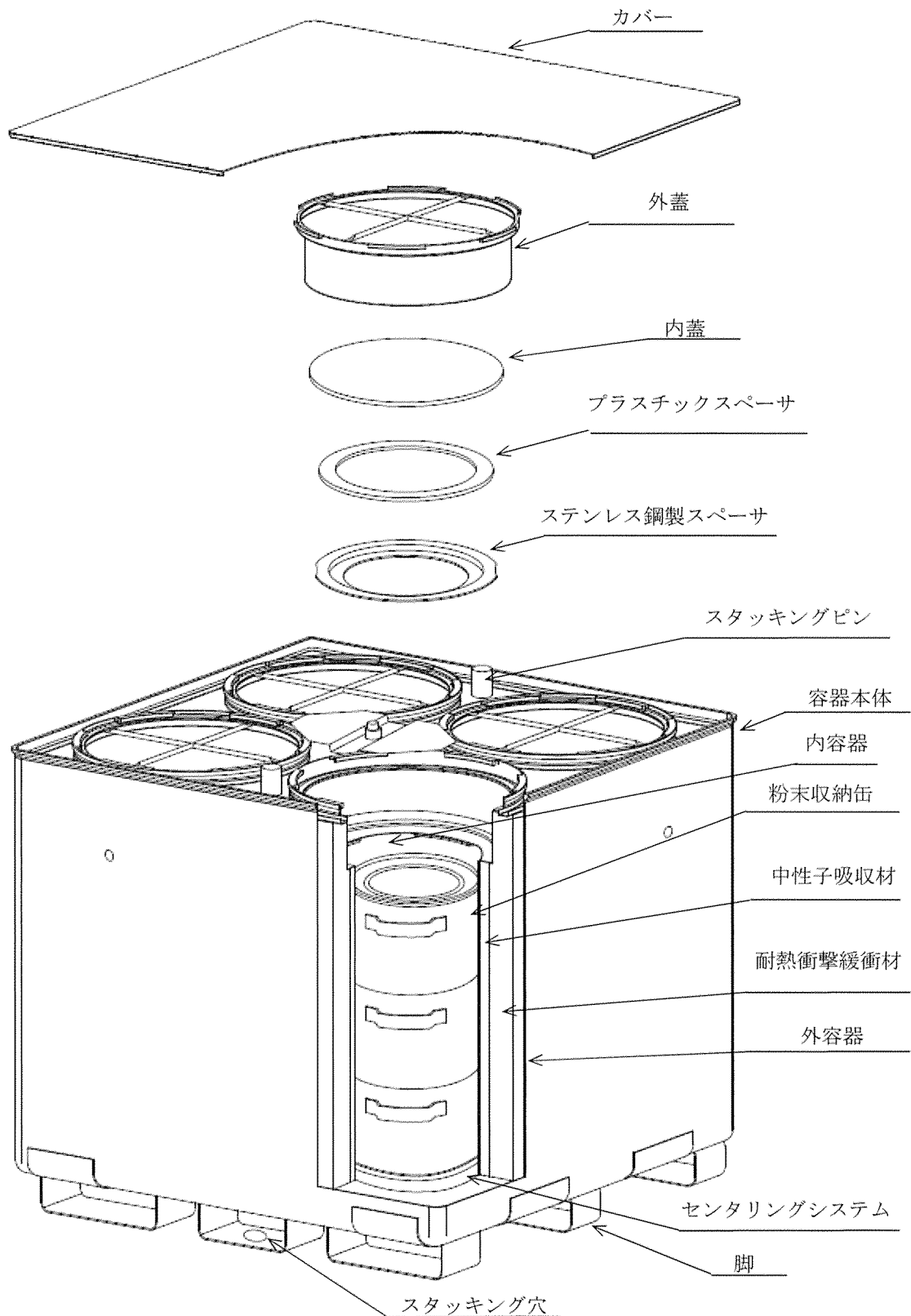
表 12 承認を受けようとする容器の製造番号

(その5)

製造番号	製造番号	製造番号	製造番号
801	TNF-XI-0805	851	TNF-XI-0863
802	TNF-XI-0806	852	TNF-XI-0864
803	TNF-XI-0807	853	TNF-XI-0865
804	TNF-XI-0809	854	TNF-XI-0866
805	TNF-XI-0810	855	TNF-XI-0867
806	TNF-XI-0811	856	TNF-XI-0868
807	TNF-XI-0812	857	TNF-XI-0869
808	TNF-XI-0813	858	TNF-XI-0871
809	TNF-XI-0814	859	TNF-XI-0873
810	TNF-XI-0815	860	TNF-XI-0874
811	TNF-XI-0816	861	TNF-XI-0876
812	TNF-XI-0817	862	TNF-XI-0877
813	TNF-XI-0818	863	TNF-XI-0878
814	TNF-XI-0819	864	TNF-XI-0879
815	TNF-XI-0820	865	TNF-XI-0881
816	TNF-XI-0821	866	TNF-XI-0883
817	TNF-XI-0822	867	TNF-XI-0885
818	TNF-XI-0823	868	TNF-XI-0886
819	TNF-XI-0824	869	TNF-XI-0887
820	TNF-XI-0825	870	TNF-XI-0888
821	TNF-XI-0826	871	TNF-XI-0889
822	TNF-XI-0827	872	TNF-XI-0890
823	TNF-XI-0828	873	TNF-XI-0891
824	TNF-XI-0829	874	TNF-XI-0894
825	TNF-XI-0830	875	TNF-XI-0895
826	TNF-XI-0831	876	TNF-XI-0896
827	TNF-XI-0832	877	TNF-XI-0897
828	TNF-XI-0834	878	TNF-XI-0900
829	TNF-XI-0837	879	TNF-XI-0901
830	TNF-XI-0838	880	TNF-XI-0902
831	TNF-XI-0840	881	TNF-XI-0903
832	TNF-XI-0841	882	TNF-XI-0904
833	TNF-XI-0843	883	TNF-XI-0905
834	TNF-XI-0844	884	TNF-XI-0906
835	TNF-XI-0845	885	TNF-XI-0907
836	TNF-XI-0846	886	TNF-XI-0909
837	TNF-XI-0847	887	TNF-XI-0910
838	TNF-XI-0848	888	TNF-XI-0912
839	TNF-XI-0849	889	TNF-XI-0913
840	TNF-XI-0851	890	TNF-XI-0915
841	TNF-XI-0852	891	TNF-XI-0917
842	TNF-XI-0853	892	TNF-XI-0918
843	TNF-XI-0854	893	TNF-XI-0920
844	TNF-XI-0855	894	TNF-XI-0923
845	TNF-XI-0856	895	TNF-XI-0924
846	TNF-XI-0857	896	TNF-XI-0928
847	TNF-XI-0858	897	TNF-XI-0935
848	TNF-XI-0859	898	TNF-XI-0936
849	TNF-XI-0860	899	TNF-XI-0937
850	TNF-XI-0861	900	TNF-XI-0938
			901 TNF-XI-0939
			902 TNF-XI-0940
			903 TNF-XI-0942
			904 TNF-XI-0943
			905 TNF-XI-0944
			906 TNF-XI-0947
			907 TNF-XI-0949
			908 TNF-XI-0950
			909 TNF-XI-0952
			910 TNF-XI-0953
			911 TNF-XI-0954
			912 TNF-XI-0955
			913 TNF-XI-0956
			914 TNF-XI-0958
			915 TNF-XI-0959
			916 TNF-XI-0960
			—以下余白—

表 13 容器製造後にはじめて承認された日

製造番号	容器製造後にはじめて承認された日
TNF-XI-0001～0014, TNF-XI-0016～0061	平成14年11月8日
TNF-XI-0062～0069, TNF-XI-0071～0076, TNF-XI-0078～0114, TNF-XI-0116～0121, TNF-XI-0124～0183	平成15年3月11日
TNF-XI-0184～0243	平成15年4月16日
TNF-XI-0015, TNF-XI-0244～0323, TNF-XI-0325, TNF-XI-0341, TNF-XI-0353～0359	平成15年7月11日
TNF-XI-0122～0123, TNF-XI-0349, TNF-XI-0360～0379, TNF-XI-0381～0382, TNF-XI-0384～0446	平成15年9月4日
TNF-XI-0070, TNF-XI-0326～0331, TNF-XI-0335～0339, TNF-XI-0342～0343, TNF-XI-0351, TNF-XI-0380, TNF-XI-0383, TNF-XI-0447～0522	平成15年11月19日
TNF-XI-0324, TNF-XI-0332～0334, TNF-XI-0340, TNF-XI-0344～0348, TNF-XI-0350, TNF-XI-0352, TNF-XI-0523～0614, TNF-XI-0616～0630, TNF-XI-0632	平成16年1月23日
TNF-XI-0631, TNF-XI-0633～0643, TNF-XI-0645～0664, TNF-XI-0666～0670, TNF-XI-0675～0727	平成16年3月19日
TNF-XI-0615, TNF-XI-0644, TNF-XI-0665, TNF-XI-0671～0674, TNF-XI-0728～0744, TNF-XI-0746～0800	平成16年5月21日
TNF-XI-0802, TNF-XI-0805, TNF-XI-0821～0823, TNF-XI-0825～0832, TNF-XI-0834, TNF-XI-0837～0838, TNF-XI-0840～0841, TNF-XI-0843, TNF-XI-0845～0849, TNF-XI-0851～0861, TNF-XI-0863～0869, TNF-XI-0871, TNF-XI-0873～0874, TNF-XI-0876～0879, TNF-XI-0881, TNF-XI-0883	平成16年11月19日
TNF-XI-0801, TNF-XI-0804, TNF-XI-0806～0807, TNF-XI-0809～0820, TNF-XI-0824, TNF-XI-0844, TNF-XI-0885～0891, TNF-XI-0894～0897, TNF-XI-0900～0907, TNF-XI-0909～0910, TNF-XI-0912～0913, TNF-XI-0915, TNF-XI-0917～0918, TNF-XI-0920, TNF-XI-0923～0924, TNF-XI-0928, TNF-XI-0935～0940, TNF-XI-0942～0944, TNF-XI-0947, TNF-XI-0949～0950, TNF-XI-0952～0956, TNF-XI-0958～0960	平成17年3月9日



※ 粉末収納缶の代わりに長尺粉末収納缶を装荷する場合もある

図1 TNF-XI型輸送容器外観図